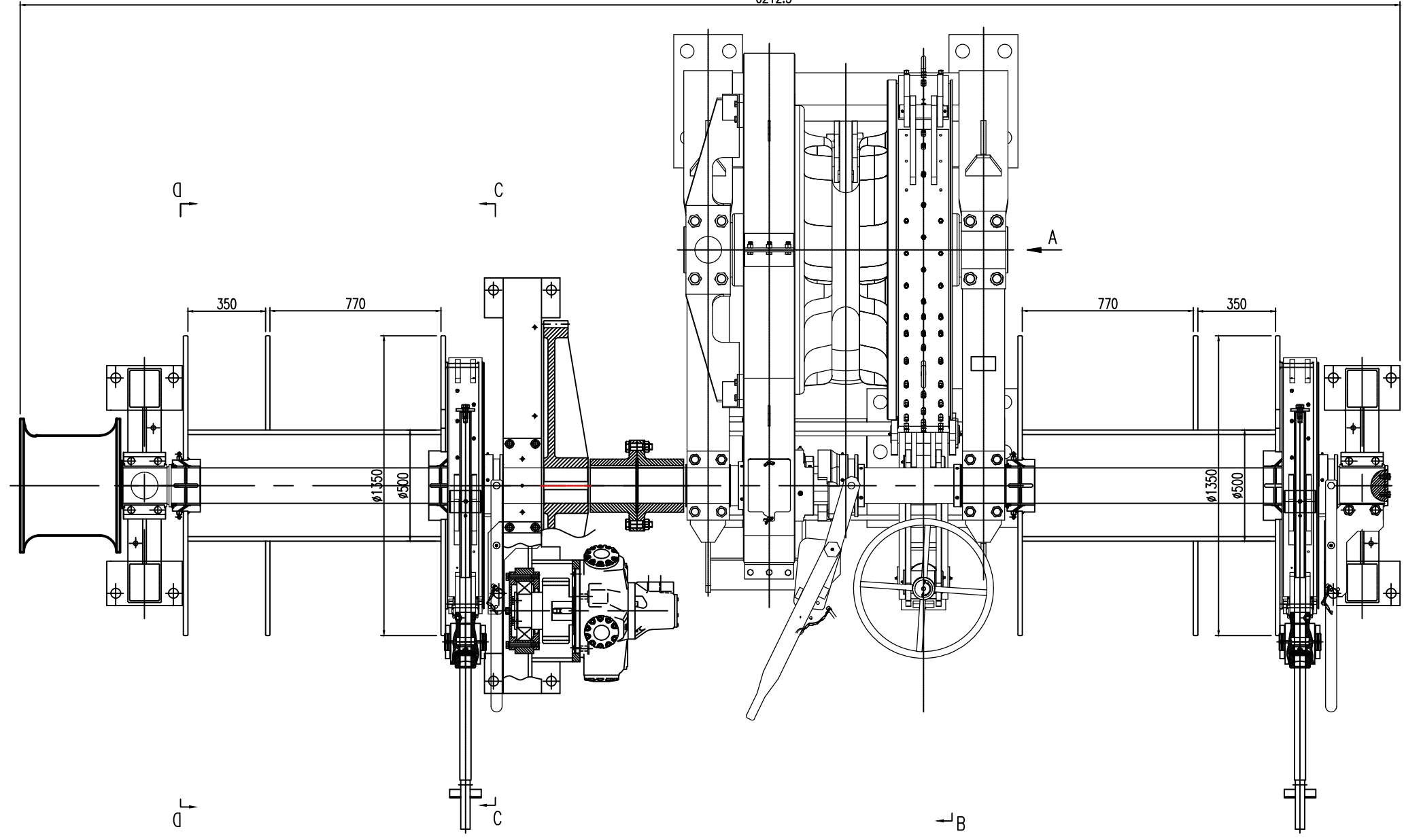
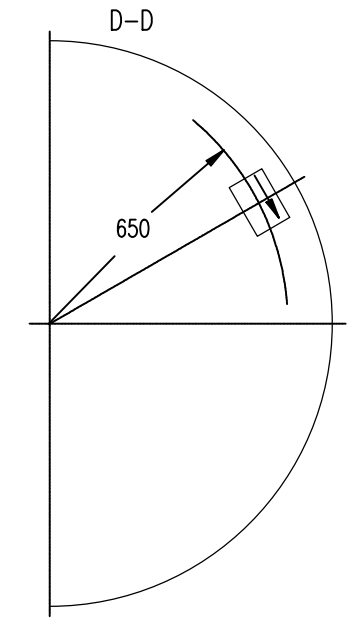
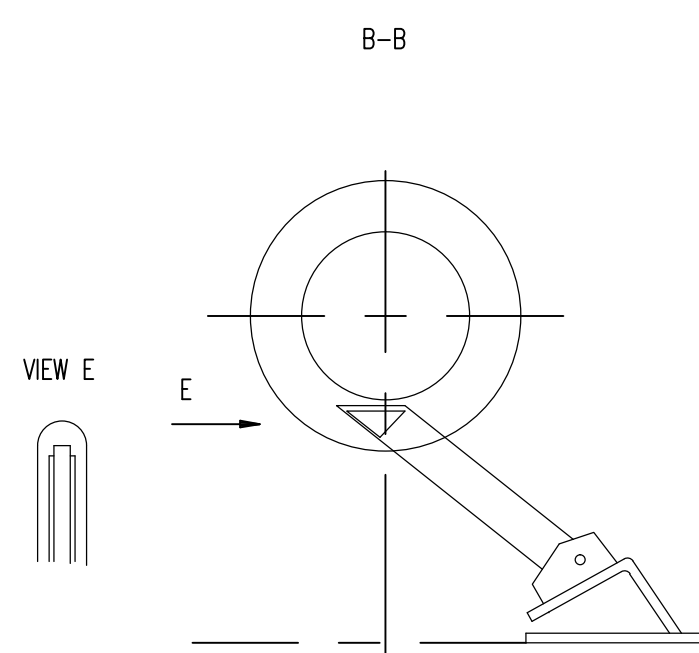
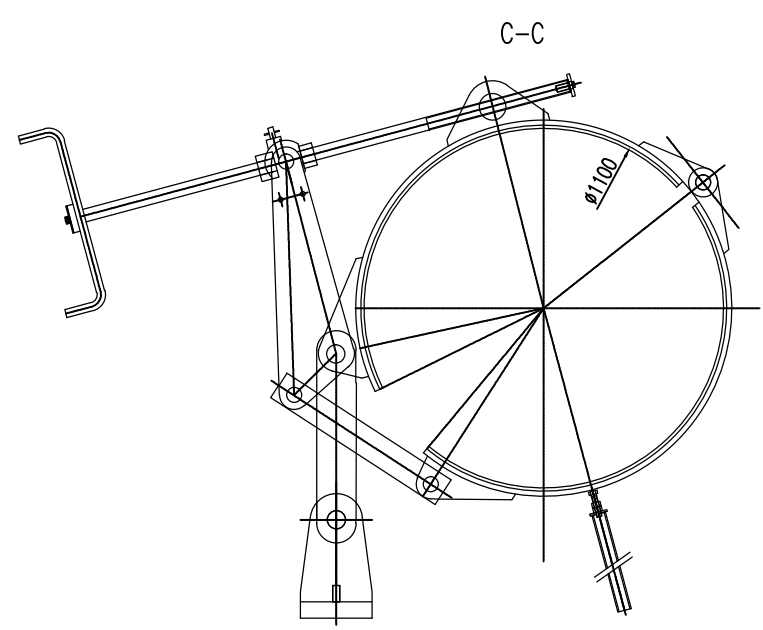
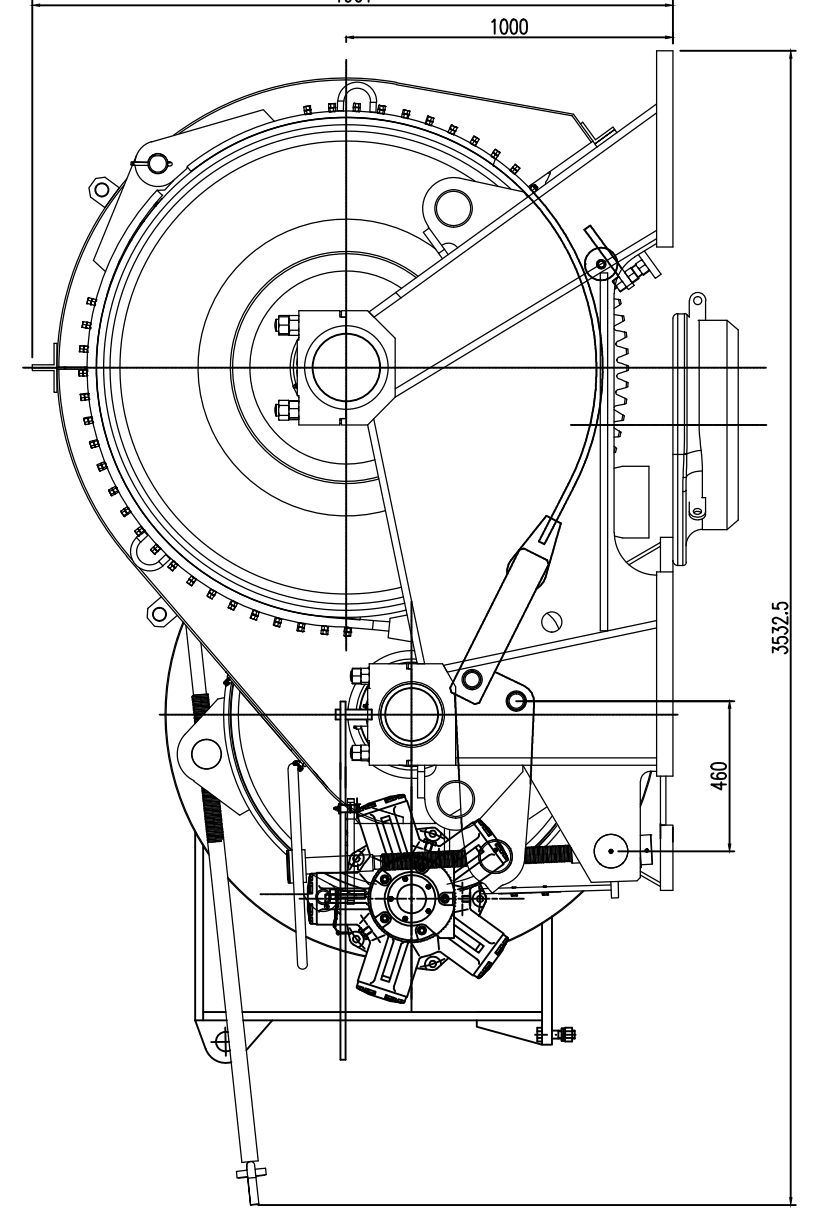


6212.5

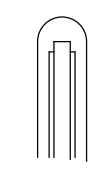
B



VIEW A  
1961



VIEW E



- SPECIFICATION**
1. Gypsy wheel speed: 30t x 9m/min (1st layer)
  2. Drum speed: 15t x 15m/min (1st layer)
  3. Drum capacity: 64 x 220m
  4. QTY: 2 PCS
  5. ASSEMBLING PRODUCE ACCORDING TO DRAWING OF MAIN SHAFT.

PROJECTION

**ATLANTISS GROUP**

OFFICE: Loyang Offshore Supply Base, Blk 104C TOPS Ave 1  
SHIPYARD: No. 17 Tuas Crescent, Singapore 638711  
Tel: +65 6745 8151 Fax: +65 6745 4060 Email: info@atlantissgroup.com.sg



					HYDRAULIC WINDLASS			CLIENT: --		
								PROJECT: 78 mm HYD. WINDLASS		
								Total NO: WEIGHT (kg) SCALE		
								NO. : 11088.65		
								DRAWING NO. :		
								PT2011-0009-01-00G		
								MATERIAL :		
								JOB NO.:K00HOM-000 REVISION:01		
MARK	QTY	SIGNATURE	REMARK	DATE						
DRAWN BY										
DESIGNED BY PHANG					02/08/2011					
CHECKED BY JADSEN					03/08/2011					
APPROVED BY										